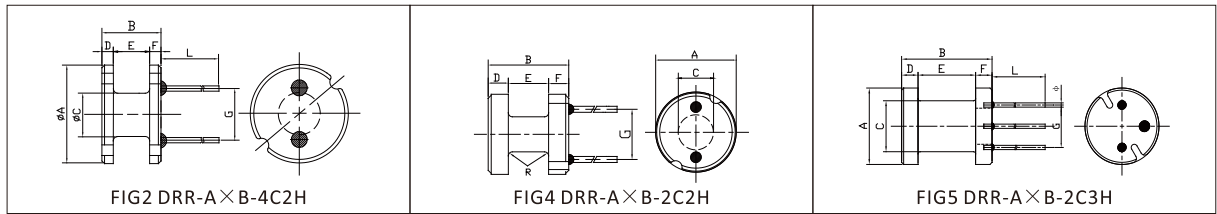


DRR种脚类

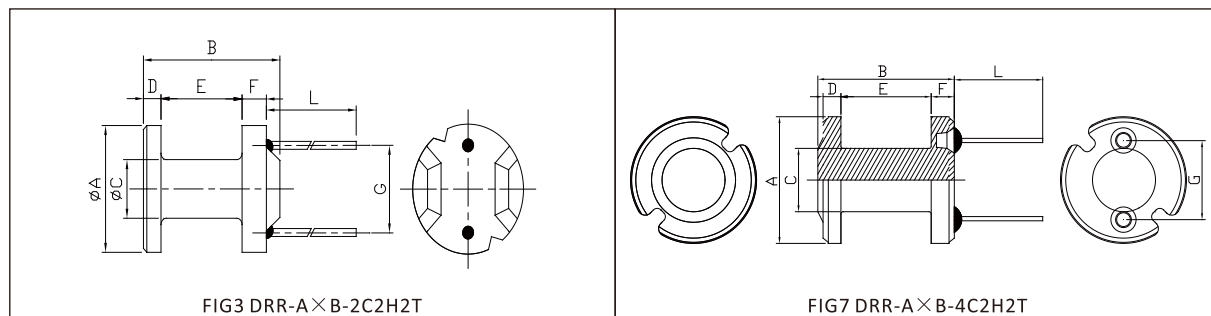
| 型号 TYPE | 图例 FIG. | 尺寸 Dimensions(mm) | | | | | | |
|-------------------------------|------------|-------------------|-----------|-----------|-----------|-----------|-----------|----------|
| | | A | B | C | D | E | F | G |
| DRR-4x6-2H-0520-2.0PAI | 1 | 4.00±0.2 | 6.00±0.2 | 2.00±0.15 | (1.25) | 3.50±0.2 | (1.25) | 2.00±0.5 |
| DRR-5x6-2H-0620-2.0PAI | 1 | 5.00±0.15 | 6.00±0.2 | 2.00±0.15 | (1.25) | 3.50±0.3 | (1.25) | 2.50±0.5 |
| DRR-5x7-2H-06135-2.5PAI-P2.5 | 1 | 5.00±0.15 | 7.00±0.2 | 2.50±0.15 | (2.00) | 3.00±0.2 | (2.00) | 2.50±0.5 |
| DRR-6x8-2H-0620-2.5PAI-P4 | 1 | 6.00±0.15 | 8.00±0.2 | 2.50±0.15 | (2.00) | 4.00±0.2 | (2.00) | 4.00±0.3 |
| DRR-6x8-2H-06515-3.0PAI-P3 | 1 | 6.00±0.2 | 8.00±0.2 | 3.00±0.15 | (1.90) | 4.20±0.2 | (1.90) | 3.00±0.5 |
| DRR-6x8-2H-06515-2.5PAI-P3 | 1 | 6.00±0.15 | 8.00±0.15 | 2.50±0.15 | (2.00) | 4.00±0.15 | (2.00) | 3.00±0.5 |
| DRR-6x8.3-2H-06515-3.0PAI-P3 | 1 | 6.00±0.15 | 8.30±0.15 | 3.00±0.15 | (2.05) | 4.20±0.2 | (2.05) | 3.00±0.5 |
| DRR-6x10-2H-0620-3.0PAI | 1 | 6.00±0.2 | 10.00±0.2 | 3.00±0.15 | 2.00±0.15 | 6.00±0.15 | 2.00±0.15 | 3.00±0.5 |
| DRR-7x10.1-2H-06515-3.45PAI | 1 | 7.00±0.15 | 10.10±0.2 | 3.45±0.2 | 2.05±0.15 | 6.00±0.15 | 2.05±0.15 | 3.00±0.5 |
| DRR-8x10-2H-06515-4.0PAI | 1 | 8.00±0.2 | 10.00±0.2 | 4.00±0.2 | (2.00) | 6.00±0.2 | (2.00) | 5.00±0.5 |
| DRR-9x12-2H-0816-4.0PAI-P5.0 | 1 | 9.00±0.2 | 12.00±0.3 | 4.00±0.15 | (2.50) | 7.00±0.2 | (2.50) | 5.00±0.5 |
| DRR-9x12-2H-0816-4.0PAI-P5.5 | 1 | 9.00±0.2 | 12.00±0.3 | 4.00±0.15 | (2.50) | 7.00±0.2 | (2.50) | 5.50±0.5 |
| DRR-9x12-2H-0816-4.0PAI-P6.0 | 1 | 9.00±0.2 | 12.00±0.3 | 4.00±0.15 | (2.50) | 7.00±0.2 | (2.50) | 6.00±0.5 |
| DRR-10x8-2H-0816-4.0PAI-P5.0 | 1 | 10.00±0.2 | 8.00±0.3 | 4.00±0.2 | 2.00±0.2 | 4.00±0.3 | 2.00±0.2 | 5.00±0.5 |
| DRR-10x8-2H-0816-5.0PAI-P6.0 | 1 | 10.00±0.2 | 8.00±0.2 | 5.00±0.15 | 2.00±0.2 | 4.00±0.2 | 2.00±0.2 | 6.00±0.5 |
| DRR-10x10-2H-0816-5.0PAI-P7.0 | 1 | 10.00±0.25 | 10.00±0.3 | 5.00±0.15 | 2.00±0.15 | 6.00±0.2 | 2.00±0.15 | 7.00±0.5 |
| DRR-10x12-2H-0816-4.0PAI-P5.0 | 1 | 10.00±0.2 | 12.00±0.2 | 4.00±0.2 | (2.50) | 7.00±0.2 | (2.50) | 5.00±0.3 |
| DRR-10x12-2H-0816-4.0PAI-P6.0 | 1 | 10.00±0.2 | 12.00±0.3 | 4.00±0.15 | (2.50) | 7.00±0.2 | (2.50) | 6.00±0.5 |
| DRR-10x12-2H-0816-4.0PAI-P7.0 | 1 | 10.00±0.2 | 12.00±0.3 | 4.00±0.15 | (2.50) | 7.00±0.2 | (2.50) | 7.00±0.5 |
| DRR-10x15-2H-0816-5.5PAI-P6.0 | 1 | 10.00±0.2 | 15.00±0.3 | 5.50±0.15 | (2.50) | 10.00±0.2 | (2.50) | 6.00±0.5 |
| DRR-10x16-2H-0816-5.0PAI-P5.0 | 1 | 10.00±0.2 | 16.00±0.3 | 5.00±0.2 | (3.00) | 10.00±0.2 | (3.00) | 5.00±0.5 |
| DRR-10x16-2H-0820-5.0PAI-P6.0 | 1 | 10.00±0.2 | 16.00±0.3 | 5.00±0.2 | (3.00) | 10.00±0.2 | (3.00) | 6.00±0.5 |

镍锌氧铁材料规格尺寸 Specification and Dimensions of NiZn Ferrite Material



DRR种脚类

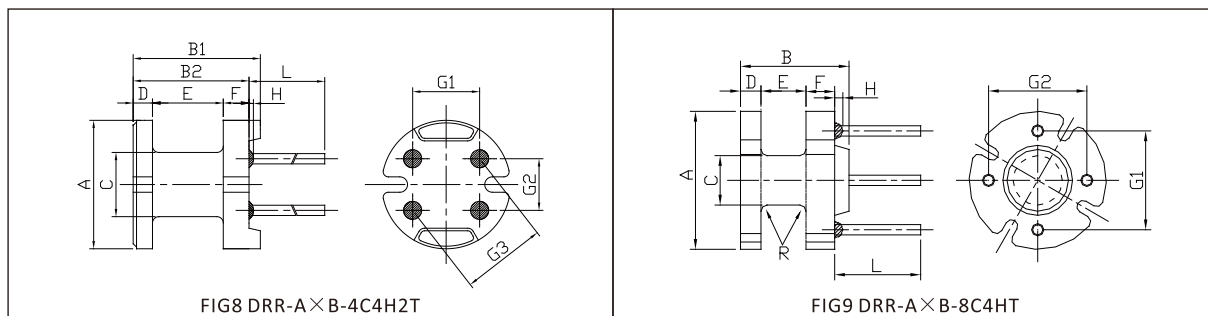
| 型号 TYPE | 图例 FIG. | 尺寸 Dimensions(mm) | | | | | | |
|---------------------------------|------------|-------------------|---------------|-----------|-----------|------------|-----------|-----------|
| | | A | B | C | D | E | F | G |
| DRR-10x16-2H-0816-5.0PAI-P7.0 | 1 | | 16.00±0.3 | 5.00±0.2 | (3.00) | 10.00±0.2 | (3.00) | 7.00±0.5 |
| DRR-10x16-2H-0816-5.5PAI-P6.0 | 1 | 10.00±0.2 | 16.00±0.3 | 5.50±0.15 | (2.50) | 11.00±0.2 | (2.50) | 6.00±0.5 |
| DRR-10x16-2H-0816-6.0PAI-P5.0 | 1 | | 16.00±0.3 | 6.00±0.15 | (2.50) | 11.00±0.2 | (2.50) | 5.00±0.5 |
| DRR-10x16-2H-0816-6.0PAI-P6.0 | 1 | 10.00±0.2 | 16.00±0.3 | 6.00±0.15 | 2.75±0.15 | 10.50±0.2 | 2.75±0.15 | 6.00±0.5 |
| DRR-10x16-2H-0816-6.0PAI-P7.0 | 1 | | 16.00±0.3 | 6.00±0.2 | (3.00) | 10.00±0.2 | (3.00) | 7.00±0.5 |
| DRR-12x16-2H-0816-6.5PAI | 1 | 12.00±0.25 | 16.00±0.3 | 6.50±0.2 | (3.00) | 10.00±0.2 | (3.00) | 7.50±0.5 |
| DRR-14x15-2H-1015-6.0PAI | 1 | | 15.00±0.3 | 6.00±0.15 | (2.50) | 10.00±0.25 | (2.50) | 7.50±0.5 |
| DRR-14x19-2H-0816-8.0PAI | 1 | 14.00±0.3 | 19.00±0.3 | 8.00±0.15 | (2.50) | 14.00±0.15 | (2.50) | 7.50±0.5 |
| DRR-14x19-2H-1016-9.0PAI | 1 | | 19.00±0.3 | 9.00±0.15 | (2.50) | 14.00±0.15 | (2.50) | 7.50±0.15 |
| DRR-16x18-2H-1022-10.0PAI | 1 | 16.00±0.2 | 18.00±0.3 | 10.00±0.2 | (2.50) | 13.00±0.2 | (2.50) | 10.00±0.5 |
| DRR-4.5x5.0-4C2H-0620-2.0PAI | 2 | | 5.00±0.15 | 2.00±0.15 | 1.40±0.2 | 2.20±0.15 | 1.40±0.15 | 2.00±0.5 |
| DRR-6x8-4C2H-0620-2.5PAI-P3 | 2 | 6.00±0.2 | 8.00±0.2 | 2.50±0.2 | 2.00±0.2 | 4.00±0.2 | 2.00±0.2 | 3.00±0.5 |
| DRR-6x7.5-2C2H-0616-2.7PAI | 4 | | 7.50±0.2 | 2.70±0.1 | (2.15) | 3.20±0.15 | (2.15) | 3.00±0.5 |
| DRR-7.8x6.3-4C2H-06505-3.2PAI | 2 | 7.80±0.12 | 6.30±0.2 | 3.20±0.15 | 1.20±0.15 | 3.70±0.15 | 1.40±0.15 | 5.00±0.5 |
| DRR-8x8-4C2H-0616-3.5PAI | 4 | | 8.00±0.15 | 3.50±0.15 | 2.00±0.15 | 4.00±0.15 | 2.00±0.15 | 5.00±0.5 |
| DRR-8x10-4C2H-06516-3.5PAI | 2 | 8.00±0.0-0.25 | 10.00±0.0-0.3 | 3.50±0.2 | 1.93±0.15 | 6.00±0.15 | 1.93±0.15 | 5.00±0.5 |
| DRR-9x12-4C2H-06515-4.0PAI | 2 | | 12.00±0.2 | 4.00±0.2 | 2.50±0.2 | 7.00±0.2 | 2.50±0.2 | 5.00±0.5 |
| DRR-9x12-4C2H-0816-6.5PAI | 2 | 9.00±0.15 | 12.00±0.2 | 6.50±0.2 | 1.80±0.15 | 8.40±0.2 | 1.80±0.15 | 5.00±0.5 |
| DRR-10x12-4C2H-0816-4.7PAI | 2 | | 12.00±0.25 | 4.70±0.1 | 3.00±0.2 | 6.00±0.2 | 3.00±0.2 | 5.00±0.5 |
| DRR-10x12.5-2C2H-0816-5.5PAI | 2 | 10.00±0.2 | 12.50±0.3 | 5.50±0.2 | 2.15±0.15 | 8.20±0.2 | 2.15±0.15 | 6.30±0.4 |
| DRR-10x16-2C2H-0816-5.0PAI-P6.0 | 2 | | 16.00±0.3 | 5.00±0.15 | 3.00±0.10 | 10.00±0.2 | 3.00±0.10 | 6.00±0.5 |
| DRR-10x16-4C2H-0816-5.5PAI-P5.0 | 2 | 10.00±0.2 | 16.00±0.3 | 5.50±0.15 | 3.00±0.2 | 10.00±0.2 | 3.00±0.2 | 5.00±0.5 |



DRR种脚类

| 型号 TYPE | 图例 FIG. | 尺寸 Dimensions(mm) | | | | | | | |
|---------------------------------|------------|-------------------|---------------|-----------|-----------|---------------|-----------|-----------|--|
| | | A | B | C | D | E | F | G | |
| DRR-10×16-4C2H-0816-6.0PAI-P6.3 | 2 | 10.00±0.2 | 16.00+0.5-0.0 | 6.00±0.2 | (2.50) | 11.30+0.2-0.3 | (2.50) | 6.30±0.5 | |
| DRR-12×13-4C2H-0816-6.0PAI | 2 | 12.00±0.2 | 13.00+0-0.3 | 6.00±0.2 | 2.00±0.2 | 9.00±0.2 | 2.00±0.2 | 7.50±0.5 | |
| DRR-14×15-4C2H-1022-7.0PAI-P8.0 | 2 | 14.00±0.2 | 15.00±0.2 | 7.00±0.15 | 2.50±0.15 | 10.00±0.2 | 2.50±0.15 | 8.00±0.5 | |
| DRR-18×22-2C3H-1010-12.0PAI | 5 | 18.00±0.3 | 22.00±0.4 | 12.00±0.2 | (4.00) | 14.00±0.2 | (4.00) | 10.00±0.5 | |
| DRR-4.5×6.2-4C2H2T-0542-2.0PAI | 3 | 4.50±0.08 | 6.20±0.15 | 2.00±0.1 | 0.80±0.07 | 3.30±0.15 | (1.40) | 2.50±0.5 | |
| DRR-4.5×7.0-4C2H2T-0542-2.0PAI | 3 | 4.50±0.08 | 7.00±0.15 | 2.00±0.1 | 1.00±0.07 | 3.90±0.15 | (1.40) | 2.50±0.3 | |
| DRR-4.5×7.0-4C2H2T-05275-2.3PAI | 3 | 4.50±0.08 | 7.00±0.15 | 2.30±0.1 | 1.00±0.07 | 3.90±0.15 | (1.40) | 2.50±0.3 | |
| DRR-4.5×7.3-4C2H2T-0542-2.0PAI | 3 | 4.50±0.08 | 7.30±0.15 | 2.00±0.1 | 1.00±0.07 | 3.90±0.15 | (1.70) | 2.50±0.3 | |
| DRR-5.8×6.3-4C2H2T-0627-2.4PAI | 3 | 5.80±0.15 | 6.30±0.2 | 2.40±0.15 | 0.80±0.15 | 3.30±0.15 | 1.40±0.15 | 4.00±0.5 | |
| DRR-6×5-4C2H2T-0616-3.0PAI | 3 | 6.00±0.15 | 5.00+0.1-0.3 | 3.00±0.15 | 0.80±0.2 | 2.00±0.15 | 1.20±0.15 | 4.00±0.3 | |
| DRR-6.7×7.0-4C2H2T-0627-2.7PAI | 3 | 6.70±0.2 | 7.00±0.2 | 2.70±0.15 | 1.30±0.15 | 3.20±0.15 | 1.50±0.15 | 5.00±0.5 | |
| DRR-7.8×5.3-4C2H2T-06515-3.2PAI | 3 | 7.80±0.15 | 5.30±0.15 | 3.20±0.15 | 0.80±0.07 | 2.00±0.15 | 1.50±0.15 | 5.00±0.5 | |
| DRR-7.8×7.2-4C2H2T-06515-3.3PAI | 3 | 7.80±0.15 | 7.20±0.2 | 3.30±0.15 | 1.10±0.15 | 3.30±0.15 | 1.80±0.15 | 5.00±0.5 | |
| DRR-7.8×9.2-4C2H2T-06505-3.0PAI | 3 | 7.80±0.15 | 9.20±0.2 | 3.00±0.2 | 1.20±0.2 | 5.20±0.15 | 1.80±0.15 | 5.00±0.5 | |
| DRR-8×7.5-4C2H2T-0623-3.2PAI | 3 | 8.00±0.2 | 7.50±0.2 | 3.20±0.15 | 1.10±0.15 | 3.60±0.15 | 1.80±0.15 | 5.00±0.15 | |
| DRR-8×10.1-4C2H2T-0623-3.7PAI | 3 | 8.00±0.2 | 10.10±0.2 | 3.70±0.15 | 1.30±0.15 | 6.00±0.2 | 1.80±0.15 | 5.00±0.15 | |
| DRR-8×10.1-4C2H2T-0623-4.45PAI | 3 | 8.00±0.2 | 10.10±0.2 | 4.45±0.15 | 1.30±0.15 | 6.00±0.2 | 1.80±0.15 | 5.00±0.15 | |
| DRR-9×12-4C2H2T-0620-4.5PAI | 3 | 9.00±0.2 | 12.00±0.3 | 5.50±0.15 | 1.50±0.15 | 7.50±0.2 | 2.00±0.15 | 5.00±0.3 | |
| DRR-10×10.1-4C2H2T-06515-4.3PAI | 3 | 10.00±0.2 | 10.10±0.2 | 4.30±0.2 | 1.50±0.15 | 5.50±0.2 | 2.00±0.15 | 5.00±0.5 | |
| DRR-10×14-4C2H2T-0815-5.0PAI | 3 | 10.00±0.3 | 14.00±0.3 | 6.00±0.15 | 1.50±0.15 | 9.00±0.2 | 2.00±0.15 | 5.00±0.5 | |
| DRR-11×14-4C2H2T-0655-6.6PAI | 3 | 11.00±0.2 | 14.00±0.2 | 6.60±0.15 | 1.50±0.2 | 8.50±0.2 | 2.00±0.2 | 5.00±0.5 | |
| DRR-12×14.5-4C2H2T-0805-6.0PAI | 3 | 12.00±0.2 | 14.50±0.3 | 6.00±0.15 | 2.00±0.15 | 8.50±0.2 | 2.00±0.15 | 7.50±0.5 | |

镍锌氧铁材料规格尺寸 Specification and Dimensions of NiZn Ferrite Material



DRR种脚类

| 型号 TYPE | 图例 FIG. | 尺寸 Dimensions(mm) | | | | | | |
|---------------------------------|------------|-------------------|------------|-----------|-----------|-----------|-----------|-----------|
| | | A | B | C | D | E | F | G |
| DRR-12×13.5-4C4H2T-0816-6.0PAI | 3 | | 13.50±0.2 | 6.00±0.2 | 1.50±0.15 | 8.50±0.2 | 3.50±0.15 | ±0.3 |
| DRR-6.7×4.6-8C4HT-0542-2.4PAI | 9 | 6.70±0.15 | 4.60±0.15 | 2.40±0.15 | (0.70) | 2.20±0.15 | (1.00) | |
| DRR-10×8.1-4C4H2T-0816-4.2PAI | 8 | | 8.10±0.2 | 4.30±0.2 | 1.35±0.15 | 3.90±0.2 | 1.75±0.15 | |
| DRR-10×10.1-4C4H2T-06515-4.3PAI | 8 | 10.00±0.2 | 10.10±0.2 | 4.30±0.2 | 1.50±0.2 | 5.50±0.2 | 2.00±0.15 | |
| DRR-9×11-4C2HT-06515-4.5PAI | 7 | | 11.00±0.2 | 4.50±0.15 | 1.30±0.15 | 7.40±0.15 | 1.80±0.15 | 5.00±0.5 |
| DRR-12×13-4C2HT-0816-6.0PAI | 7 | 12.00±0.15 | 13.00±0.15 | 6.00±0.15 | 1.70±0.15 | 8.60±0.2 | 2.20±0.15 | 7.50 0.50 |
| DRR-14×13.5-4C2H2T-0816-8.0PAI | 3 | | 13.50±0.3 | 8.00±0.2 | 2.00±0.15 | 7.50±0.15 | 2.50±0.15 | 9.00 0.50 |
| DRR-15×13.5-4C2H2T-0816-7.5PAI | 3 | 15.00±0.25 | 13.50±0.25 | 7.50±0.2 | 2.00±0.15 | 7.50±0.15 | 2.20±0.15 | 7.50 0.50 |