

FIG.1 FIG.2 FIG.3 FIG.4

**EDI 型 / EDI Core**

| 型号<br>TYPE         | 图例<br>FIG. | 尺寸 Dimensions ( mm ) |           |                |               |                |               |               |
|--------------------|------------|----------------------|-----------|----------------|---------------|----------------|---------------|---------------|
|                    |            | A                    | B         | C              | D             | E              | F             | G             |
| EDI6.2/5.1/6.2A    | 1          | 6.15±0.1/-0.14       | 3.85±0.1  | 6.15±0.1/-0.14 | 2.7±0.08/-0.1 | 3.9±0.15/-0.05 | 2.3±0.1       |               |
| EDI16.8/12/25      | 6          | 16.8±0.25            | 9.5±0.15  | 25±0.4         | 6±0.15        | 13.2±0.25      | 7±0.15        | 18±0.25       |
| FEI17/12/7D        | 2          | 16.8±0.4             | 10±0.15   | 7±0.15         | 5±0.1         | 13.1±0.6/-0.1  | 8.2±0.2       | 7±0.15        |
| EDI17.6/8.3/15.6   | 3          | 17.6±0.4             | 6.15±0.15 | 15.55±0.3      | 8.05±0.2      | 14.8±0.4       | 4±0.15        |               |
| FEI18.4/12/8L      | 2          | 18.4±0.5/-0.2        | 10±0.1    | 8±0.15         | 5±0.1         | 14.7min        | 8.2±0.15      | 6±0.1         |
| FEI18.4/13/8       | 2          | 18.4±0.3             | 12.2±0.15 | 8±0.15         | 5±0.1         | 14.7min        | 10.2±0.2      | 8±0.15        |
| EDI20.6/7/10       | 4          | 20.6±0.4             | 5±0.15    | 10±0.3         | 7.8±0.25      | 17±0.4         | 3±0.15        |               |
| FED21.6/12/13B     | 2          | 21.6±0.45/-0.3       | 10.4±0.15 | 12.5±0.2       | 8.5±0.15      | 17.4min        | 8.4±0.15      | 6±0.1         |
| EDI22/7.4/17.6     | 5          | 22±0.35              | 5.25±0.1  | 17.6±0.25      | 5.5±0.15      | 18.5±0.35      | 3.15±0.15     | 12.65±0.2     |
| EMI23/14.2/10A     | 2          | 23±0.4               | 12.2±0.15 | 10±0.2         | 7±0.1/-0.2    | 18.4min        | 10.2±0.15     | 5±0.1         |
| EDI25.9/13.7/20.5  | 5          | 25.9±0.4             | 10.1±0.15 | 20.5±0.4       | 7.5±0.2       | 17.7±0.5/-0.2  | 6.5±0.2/-0.15 |               |
| EDI29.6/15.8/47    | 1          | 29.6±0.6             | 11.5±0.1  | 47±1           | 11±0.25       | 22±0.6         | 7.2±0.15      | 39±1          |
| EDI30/9.6/26.8     | 5          | 30±0.4               | 6.2±0.15  | 26.8±0.4       | 10.8±0.2      | 25.8±0.35      | 2.8±0.2       | 16.8±0.25     |
| EDI31/13.4/30      | 4          | 31±0.4               | 10.2±0.15 | 30±0.35        | 11±0.15       | 26.4±0.35      | 7±0.15        | 19±0.25       |
| EDI32.8/21.8/28.7A | 6          | 32.8±0.5             | 21.8±0.3  | 28.7±0.45      | 19.1±0.3      | 27.4±0.5       | 17.5±0.15     | 15±0.25       |
| EDI35/20/22.5      | 7          | 35±0.6               | 15±0.15   | 22.5±0.4       | 14.1±0.3/-0.1 | 29.5min        | 10±0.2        | 12.5±0.3/-0.1 |
| EDI40.2/20.1/26.7A | 3          | 40.2±0.7             | 16.6±0.2  | 26.7±0.5       | 18±0.4        | 33.4min        | 13.1±0.2      | 11±0.3        |
| EDI42/22.8/26.6    | 3          | 42±0.6               | 18.4±0.15 | 26.6±0.4       | 18±0.2        | 33.7min        | 14±0.2/-0.1   | 11±0.25       |
| EDI20.6/7/10       | 8          | 20.6±0.4             | 5±0.15    | 10±0.3         | 7.8±0.25      | 17±0.4         | 3±0.15        |               |
| EDI30/9.6/26.8     | 4          | 30±0.4               | 6.2±0.15  | 26.8±0.4       | 10.8±0.2      | 25.8±0.35      | 2.8±0.2       | 16.8±0.25     |
| EDI62/30/44        | 4          | 62±0.9               | 23±0.3    | 44±0.65/-0.8   | 26±0.5        | 52±0.9         | 16±0.3        | 30±0.5        |
| EDI62/30/44        | 5          | 62±0.9               | 23±0.3    | 44±0.65/-0.8   | 26±0.5        | 52±0.9         | 16±0.3        | 30±0.5        |

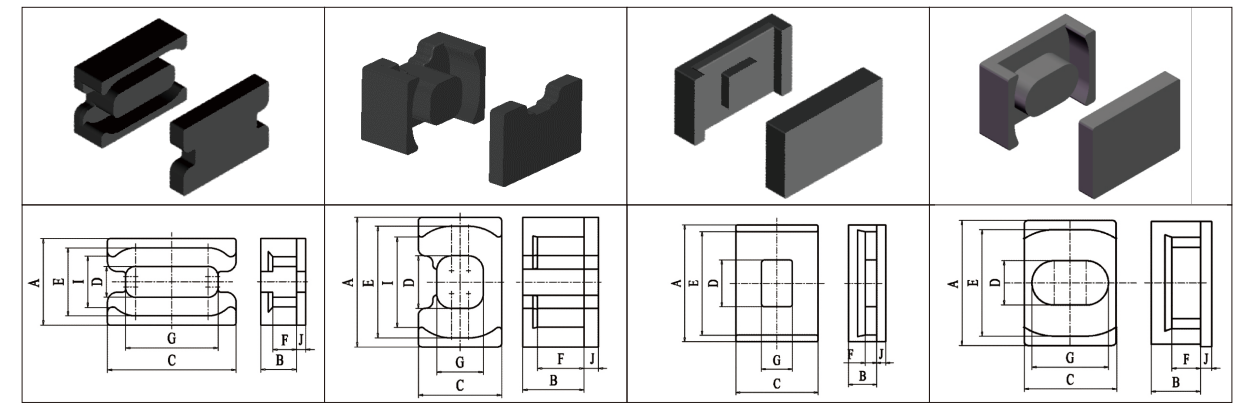


FIG.5 FIG.6 FIG.7 FIG.8

**EDI 型 / EDI Core**

| 型号<br>TYPE         | 图例<br>FIG. | 参数 Parameters |        |       |          | AL(Ref)* |       | 重量(Ref)<br>g / PRS |
|--------------------|------------|---------------|--------|-------|----------|----------|-------|--------------------|
|                    |            | C1            | Ae     | Le    | Ve       | TP4A     | TPW33 |                    |
| EDI6.2/5.1/6.2A    | 1          | 0.62          | 16.9   | 10.46 | 13.85    | 1800     | 2300  | 0.79               |
| EDI16.8/12/25      | 6          | 0.26          | 112.68 | 29.43 | 3315.70  | 6820     | 8260  | 11.80              |
| FEI17/12/7D        | 2          | 1.20          | 25.86  | 31.10 | 804.20   | 1750     | 1850  | 4.20               |
| EDI17.6/8.3/15.6   | 3          | 0.40          | 61.1   | 24.5  | 54.4     | 4400     | 5500  | 7.3                |
| FEI18.4/12/8L      | 2          | 1.06          | 29.99  | 31.83 | 954.60   | 1750     | 2000  | 4.76               |
| FEI18.4/13/8       | 2          | 1.28          | 29.11  | 37.33 | 1086.60  | 1600     | 1900  | 5.70               |
| EDI20.6/7/10       | 4          | 0.60          | 40.7   | 24.6  | 39.0     | 2900     | 3700  | 5.3                |
| FEI21.6/12/13B     | 2          | 0.73          | 49.90  | 36.29 | 1811.00  | 2900     | 3500  | 9.30               |
| EDI22/7.4/17.6     | 5          | 0.39          | 69.24  | 27.16 | 1880.40  | 4230     | 5080  | 9.70               |
| EMI23/14.2/10A     | 1          | 1.10          | 38.46  | 42.13 | 1620.20  | 1780     | 2210  | 8.20               |
| EDI25.9/13.7/20.5  | 5          | 0.24          | 149.63 | 35.40 | 5297.10  | 8190     | 10040 | 27.80              |
| EDI29.6/15.8/47    | 1          | 0.12          | 343.49 | 39.68 | 13628.30 | 16500    | 22700 | 77.00              |
| EDI30/9.6/26.8     | 5          | 0.19          | 176.2  | 33.4  | 156.5    | 10500    | 13200 | 30.4               |
| EDI31/13.4/30      | 4          | 0.22          | 189.48 | 42.46 | 8044.90  | 9310     | 11580 | 41.10              |
| EDI32.8/21.8/28.7A | 6          | 0.78          | 110.48 | 86.12 | 104.58   | 3200     | 4000  | 60.2               |
| EDI35/20/22.5      | 7          | 0.25          | 192.25 | 48.23 | 9272.20  | 8200     | 10270 | 49.70              |
| EDI40.2/20.1/26.7A | 3          | 0.26          | 211.30 | 54.57 | 11529.80 | 7800     | 9900  | 60.00              |
| EDI42/22.8/26.6    | 3          | 0.31          | 210.82 | 64.61 | 13621.10 | 7040     | 8990  | 74.30              |
| EDI20.6/7/10       | 8          | 0.60          | 40.7   | 24.6  | 39.0     | 2900     | 3700  | 5.3                |
| EDI30/9.6/26.8     | 4          | 0.19          | 176.2  | 33.4  | 156.5    | 10500    | 13200 | 30.4               |
| EDI62/30/44        | 4          | 0.14          | 619.59 | 87.76 | 612.48   | 17000    | 22000 | 284.6              |
| EDI62/30/44        | 5          | 0.14          | 619.59 | 87.76 | 612.48   | 17000    | 22000 | 284.6              |

\*-AL为磁心对应参考值,具体规格以双方签订承诺书为准; AL测试条件:1kHz 0.3V 10Ts; AL单位:nH/N2

\*-图例仅展示产品形状,具体细节以实物或以双方签订承诺书为准。